

PUBLIC SPACE BEAM

Public Space Beam offers versatile seating for a variety of waiting areas. With a robust construction, the beam units are available in any seating or table combination of two, three, or four bench units, with or without arms.

The range is perfect for environments including learning, healthcare or transport.



STANDARD FEATURES

- (*Selected models only)
- Tubular Steel 4 leg frame
- Upholstered seat and back
- Polyurethane end arms*
- Beech laminate table top

OPTIONAL FEATURES

- Upholstered end arms*
- Floor fixing plate
- Two-tone upholstery
- Choice of finish option available- see finish page

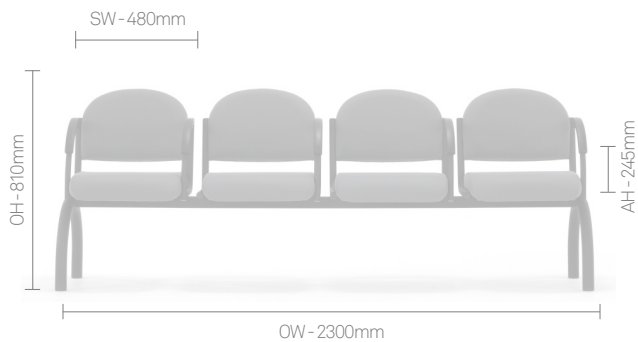
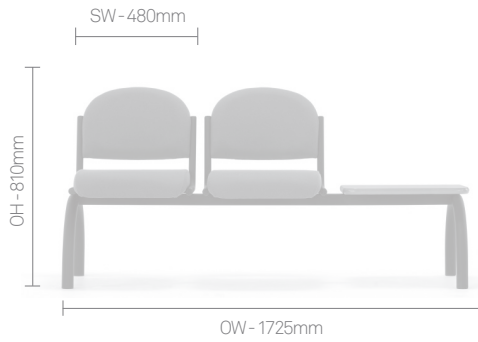
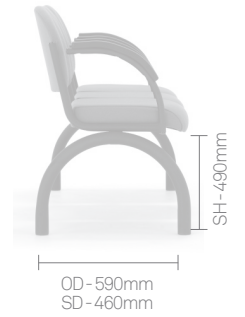
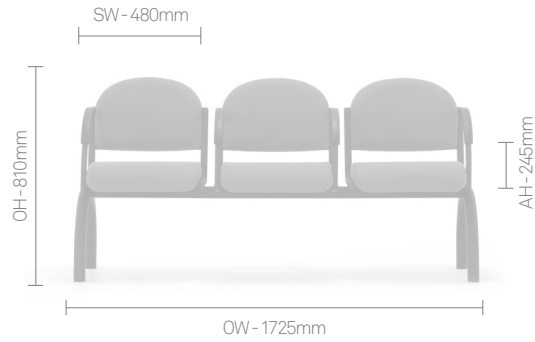
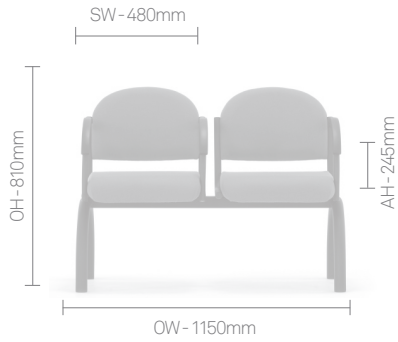
OPTIONS

Public Space Beam is available in any seating or table combinations of two, three or four bench, with or without arms.



DIMENSIONS

OH-Overall Height OD-Overall Depth OW-Overall Width AH-Arm Height BH-Back Height SH-Seat Height SW-Seat Width SD-Seat Depth



FINISH OPTIONS

- Tubular Steel 4 leg frame available in Silver and Black powder coat
- Polyurethane arms available in Black
- Beech Table Top can be finished in clear lacquer
- Public Space Beam can be upholstered in a broad range of contract upholstery fabrics and vinyls from The Senator Group standard upholstery collection

Back Finishes

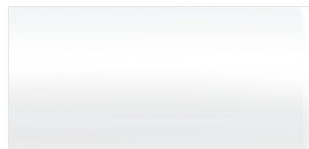


Black (Plastic)

Frame Finishes

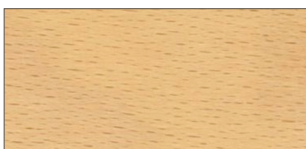


Black (Powder Coat)



Silver (Powder Coat)

Table Top Finishes

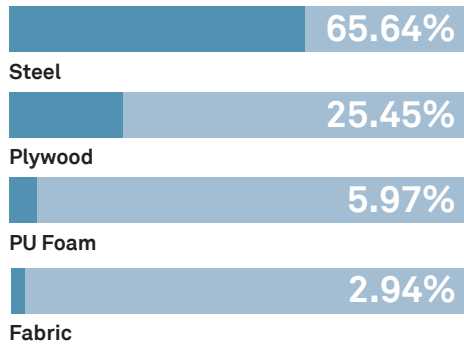


Beech

ENVIRONMENTAL

Material Content

Components are constructed of the following



Recycled Content

Contains up to 34.50% of Recycled Material



Recyclability

The range is 99% recyclable

99%

Environmental information for this range has been based on A108-SS.
For more detail please refer to individual EPA sheets.

THE SENATOR GROUP 3 R'S

The Senator Group is committed to continually improving the sustainability of all environmental aspects within our business.

To meet both international standards and our own environmental targets we apply the three R's principle

-Reduce, Reuse and Recycle.

Whilst recycling is the element which receives the most exposure it is actually the last option available and should never be the prime target in anyone's battle to reduce waste.

It is our duty as individuals and as a company to initially attempt to **Reduce** usage. Then we should look to **Reuse** wherever possible and finally, only after these two processes have been exhausted, should we consider **Recycling**.

-Reduce
-Reuse
-Recycle