



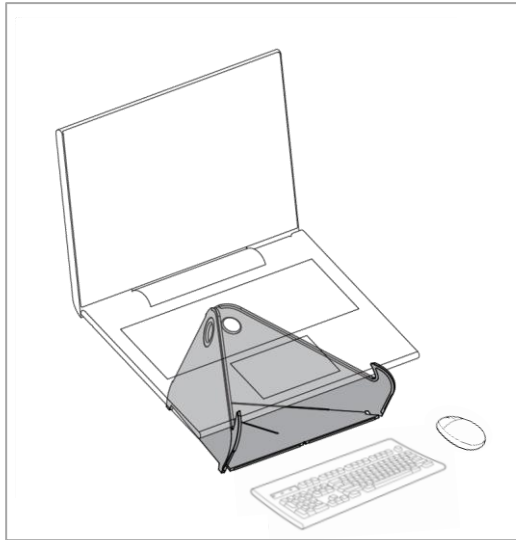
TECHNICAL SPECIFICATION SHEET

PRODUCT NAME: Oripura Laptop Stand

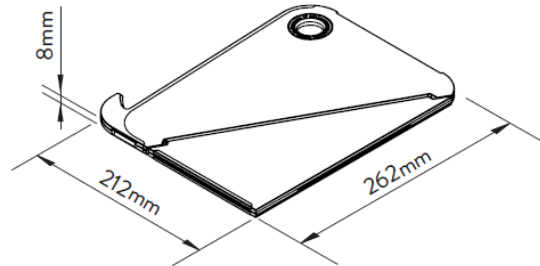
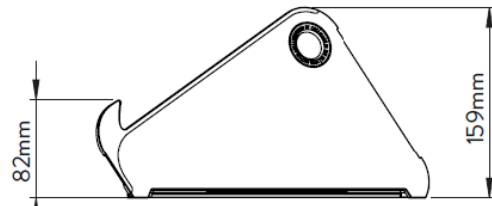
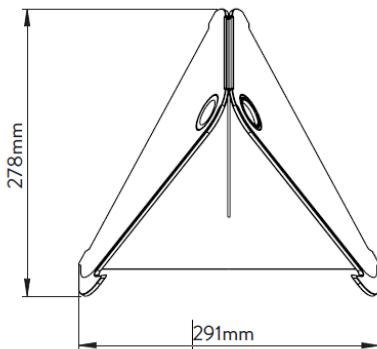
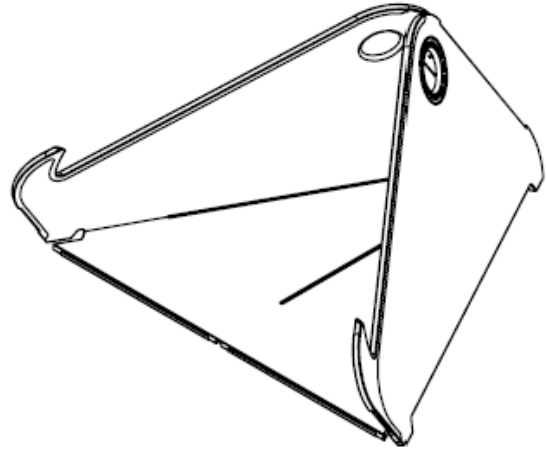
PRODUCT CODE: LAP/013

Doc Rev 1.

12.03.21 LE



Product configured with laptop



KEY FEATURES

- Free standing solution that allows laptops to be elevated off the work surface to create an ergonomic workstation* at the office, at home or on the go.
- Supports laptops up to 16" screen size.
- Folds down flat for easy storage and transportability in laptop bag or briefcase.
- No installation required.
- Non-slip material along the sides and bottom keep laptop stable and protect surfaces from damage.
- Built-in cable management helps keep worksurface neat and tidy.
- Available in white.

*Product requires the use of a separate keyboard and mouse.

Max load	2.8kg (6.2lb)
Laptop screen size	Up to 16"
Laptop thickness	Up to 27.2mm (1")
Total product recyclable	100%
Product Packaging	100% plastic-free

LOGISTICAL

Pack contains	Oripura Laptop Stand
Product net weight:	0.41 kg
Pack dims (HxWxD)	290 x 240 x 11 mm
Pack gross weight	0.43 kg
Master carton quantity	30 pcs
Master carton dims (HxWxD)	400 x 265 x 300 mm
Master weight	13 kg
Pallet quantity	900 pcs (30 cartons)
Country of origin	UK

ORDERING INFORMATION

<u>Product Description</u>	<u>Product Code</u>	<u>Colour</u>
Oripura Laptop Stand	LAP/013/W	White

WARRANTY

Warranty Term	5 years
----------------------	---------

ENVIRONMENTAL

Material Make-up			Total Recycled Content	Breakdown of Recycled Content		Total Recyclable	
Overall Product			Overall Product			Overall Product	
Material type	Total Material type weight (g)	Percentage of Total Product Weight (%)	Material-Type Recycled Content (%)	Percentage PIR of total weight (%)	Percentage PCR of total weight (%)	Total Product Recyclable (g)	Total Product Recyclable (%)
Plastic	408.6	100.0%	0.0%	0.0%	0.0%	408.6	100.0%
Total	408.6	100.0%	0.0%	0.0%	0.0%	408.6	100.0%

PIR = Post Industrial Recycled
PCR = Post Consumer Recycled

Due to calculation rounding there may be some small variations in displayed percentage totals.