

**bhc furniture**  
plan - manage - install



# Retro

Product Brochure 2017

# Retro

---

## Colourful Retro Brings a Breath of Fresh Air to Any Café or Breakout Space

Practical dining chair and bar stool with a solid beech 4 leg base and polypropylene seat and back rest.

Available in 6 different colours to add a splash of colour to a space.





# Retro

## Specifications

### Product Information

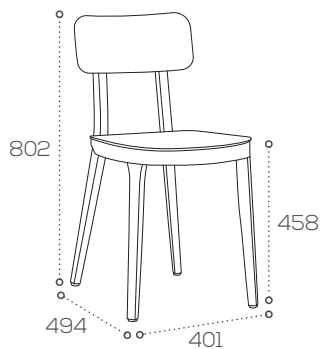
- Chair and bar stool with solid beech 4 leg base
- Polypropylene seat and back rest

### Options

- Available in 6 different colours: white, red, light grey, green, yellow and brown
- Wenge-stained beech and white lacquered beech available

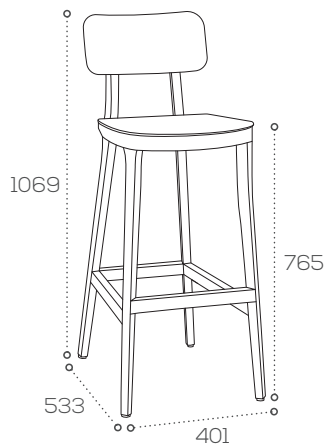
### Dimensions (mm)

MRT1



Weight: 5kg

GRT1



Weight: 7kg



BHC Furniture  
1 St Mark Street,  
London.  
E1 8DA

Tel - 0207 264 1945  
Fax - 0207 264 1947

[sales@bhc furniture.co.uk](mailto:sales@bhc furniture.co.uk)

**bhc furniture**  
plan - manage - install