



# Cubix

Product Brochure

**bhc** furniture  
plan - manage - install

# Cubix

---

## Touchdown with Cubix

Useful upholstered stools that will fit in with or add a splash of colour to any environment. Perfect for breakout and touchdown spaces.

### Product Information

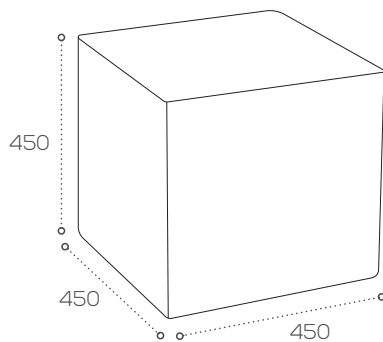
- Fully upholstered cube or cylinder shape stools

### Options

- Casters optional
- Available in a wide range of fabrics, vinyls and leathers
- Dual upholstery available

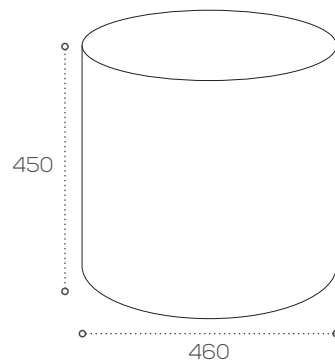
### Dimensions (mm)

Cube shape stool



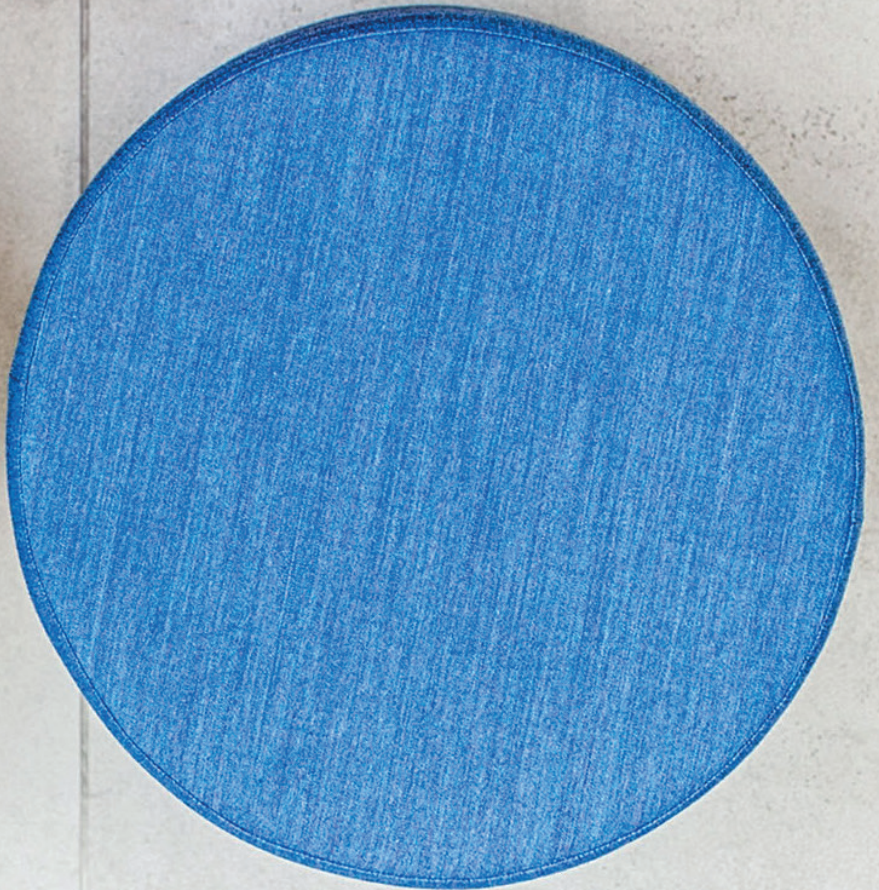
Weight: 11kg

Cylinder shape stool



Weight: 7kg





BHC Furniture  
1 St Mark Street,  
London.  
E1 8DA

Tel - 0207 264 1945  
Fax - 0207 264 1947

[sales@bhcfurniture.co.uk](mailto:sales@bhcfurniture.co.uk)  
[www.bhcfurniture.co.uk](http://www.bhcfurniture.co.uk)

**bhc furniture**  
plan - manage - install