



# Platforms

Design by Roger Webb Associates

Product Brochure 2017

# Platforms

---

## Simple, Flexible & Modular Two-Tiered Auditorium Seating

Education focused auditorium seating available in three modules: 1350mm straight, 1540mm straight and 1155mm corner unit. Now with in-built under seat storage as standard. Available with seat and scatter cushions for additional comfort, power options for connectivity, protective floor covering and casters for mobility.





# Platforms

## Modular Specifications

### Product Information

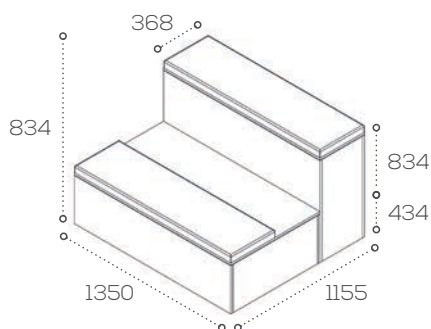
- 3 straight or corner modules available
- 16mm birch veneer plywood construction
- Supplied partly assembled with completely tool-free assembly of modules and configurations
- Convenient carry handles enable modules to be reconfigured easily and are utilised to connect modules together using a dedicated bracket and thumb-turn fixings
- In-built under seat storage

### Options

- Seat cushions available in all fabric groups
- Neutral grey Interface carpet or Bolon vinyl floor covering available on the first tier behind upholstery to resist marking and improve grip
- Casters available for easy mobility
- Power units available

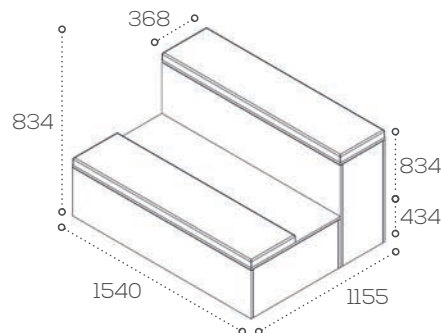
### Dimensions (mm)

SPL1



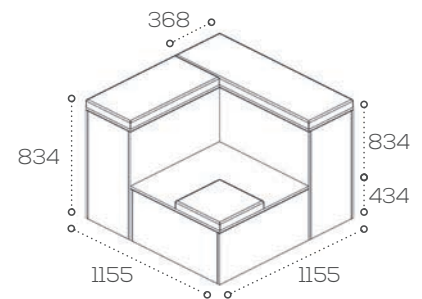
Weight: 74kg

SPL2



Weight: 82kg

SPL3



Weight: 85kg

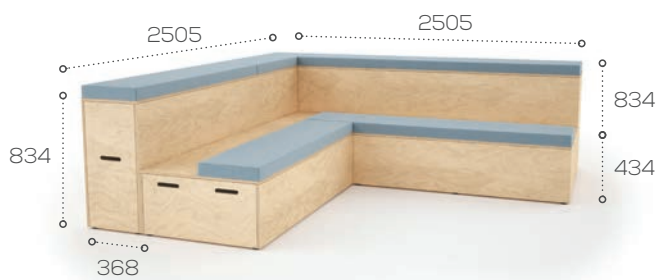


# Platforms

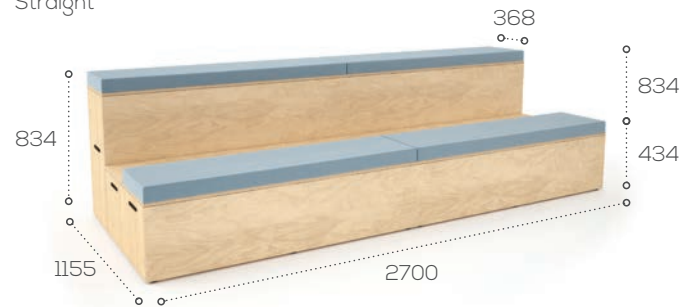
## Configurations

### Dimensions (mm)

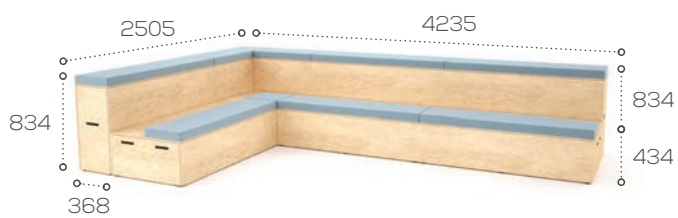
L-shape



Straight



Asymmetric L-shape



U-shape



BHC Furniture  
1 St Mark Street,  
London.  
E1 8DA

Tel - 0207 264 1945  
Fax - 0207 264 1947

[sales@bhcfurniture.co.uk](mailto:sales@bhcfurniture.co.uk)  
[www.bhcfurniture.co.uk](http://www.bhcfurniture.co.uk)

**bhc furniture**  
plan - manage - install